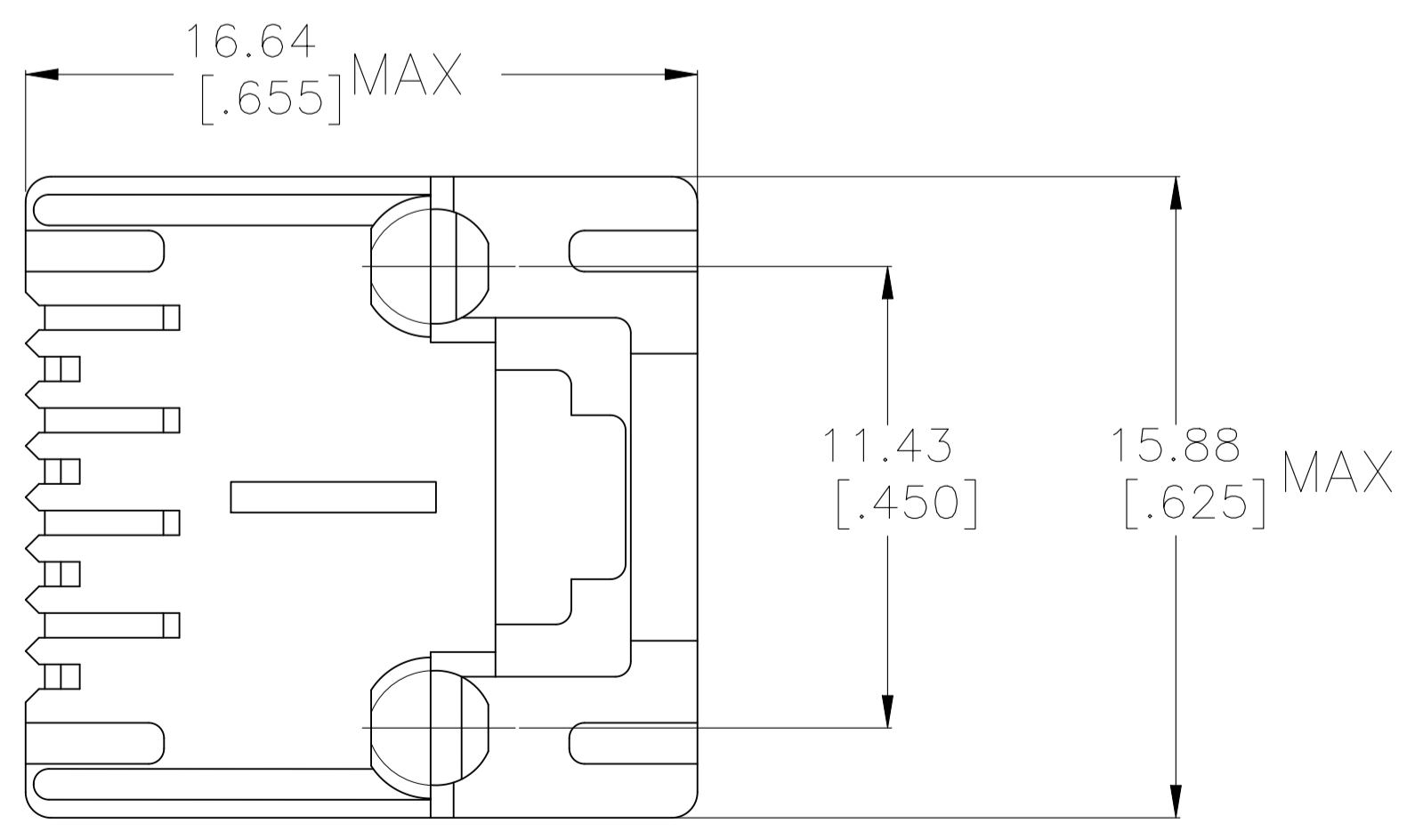
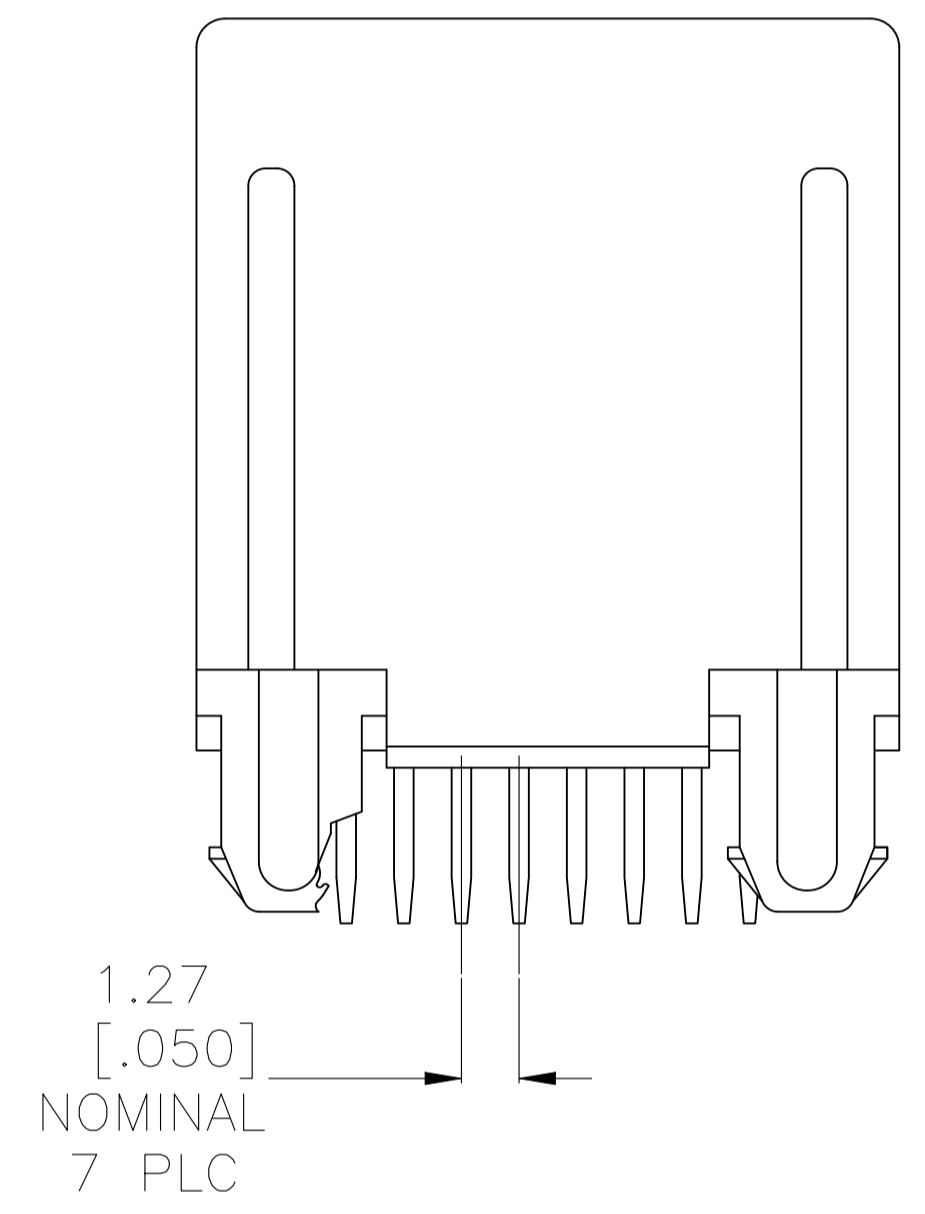
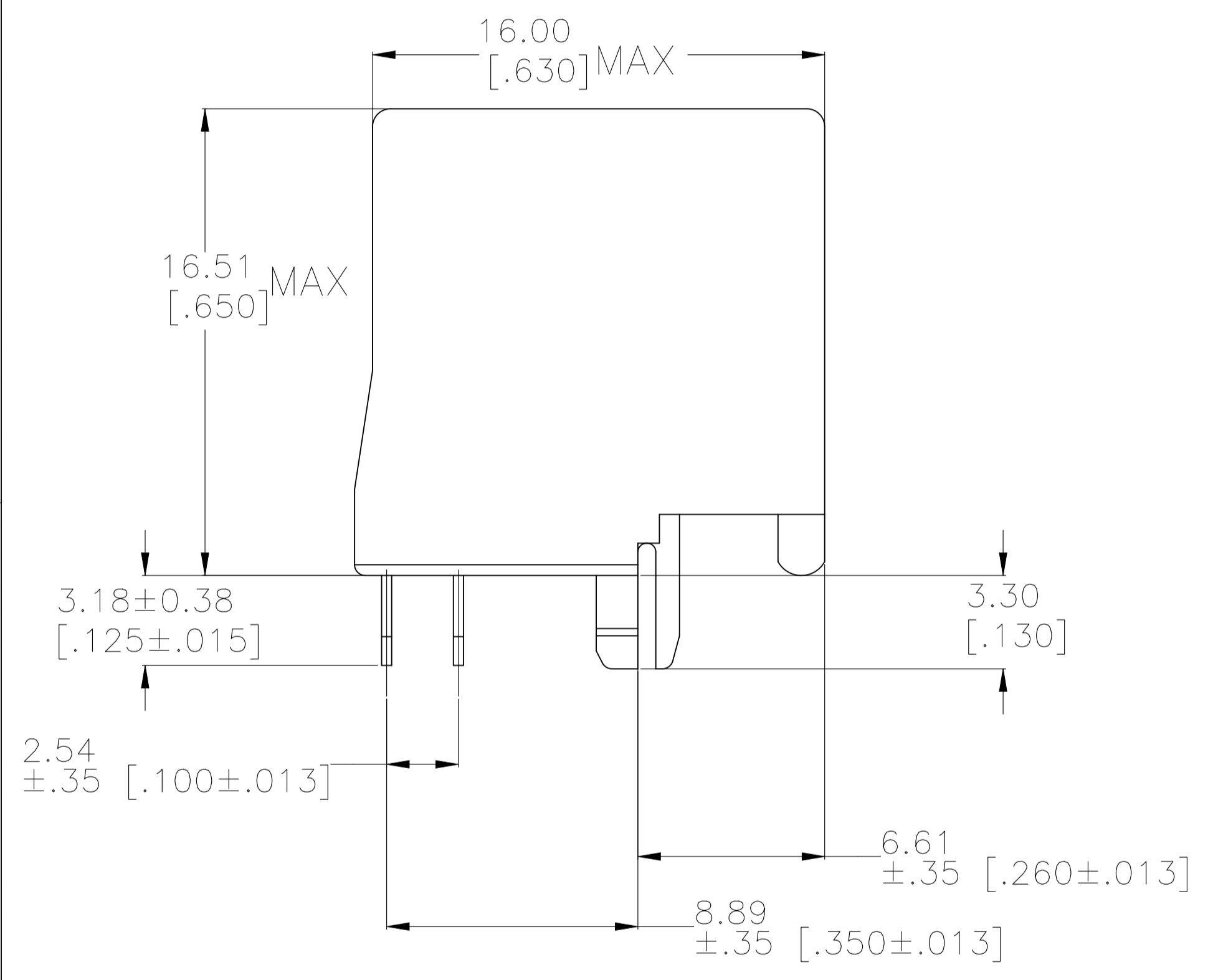
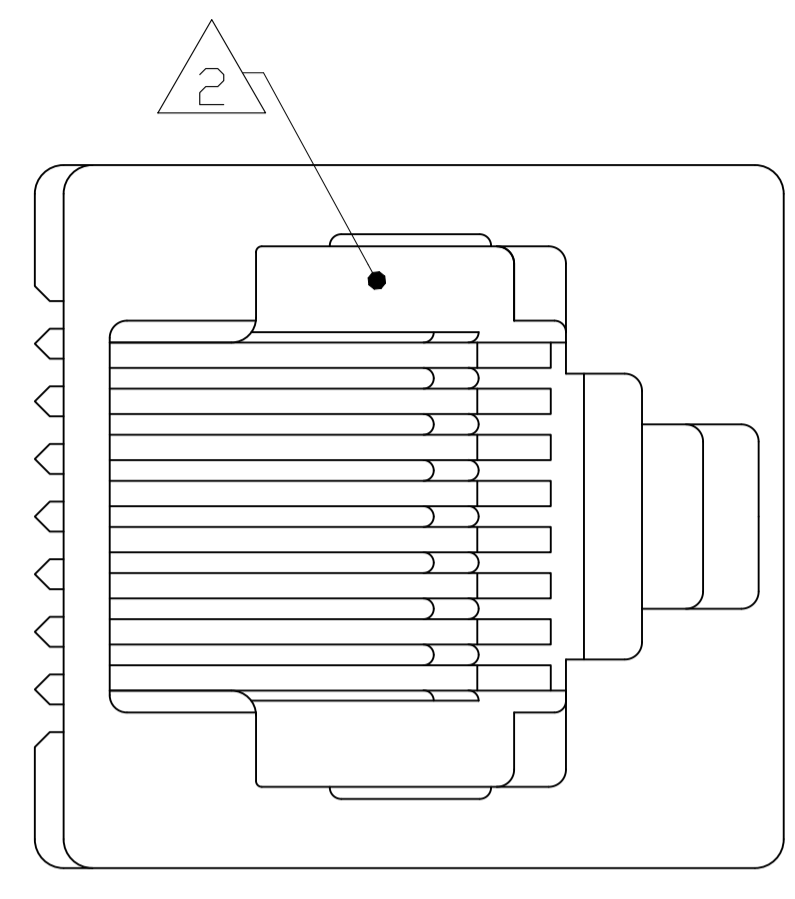
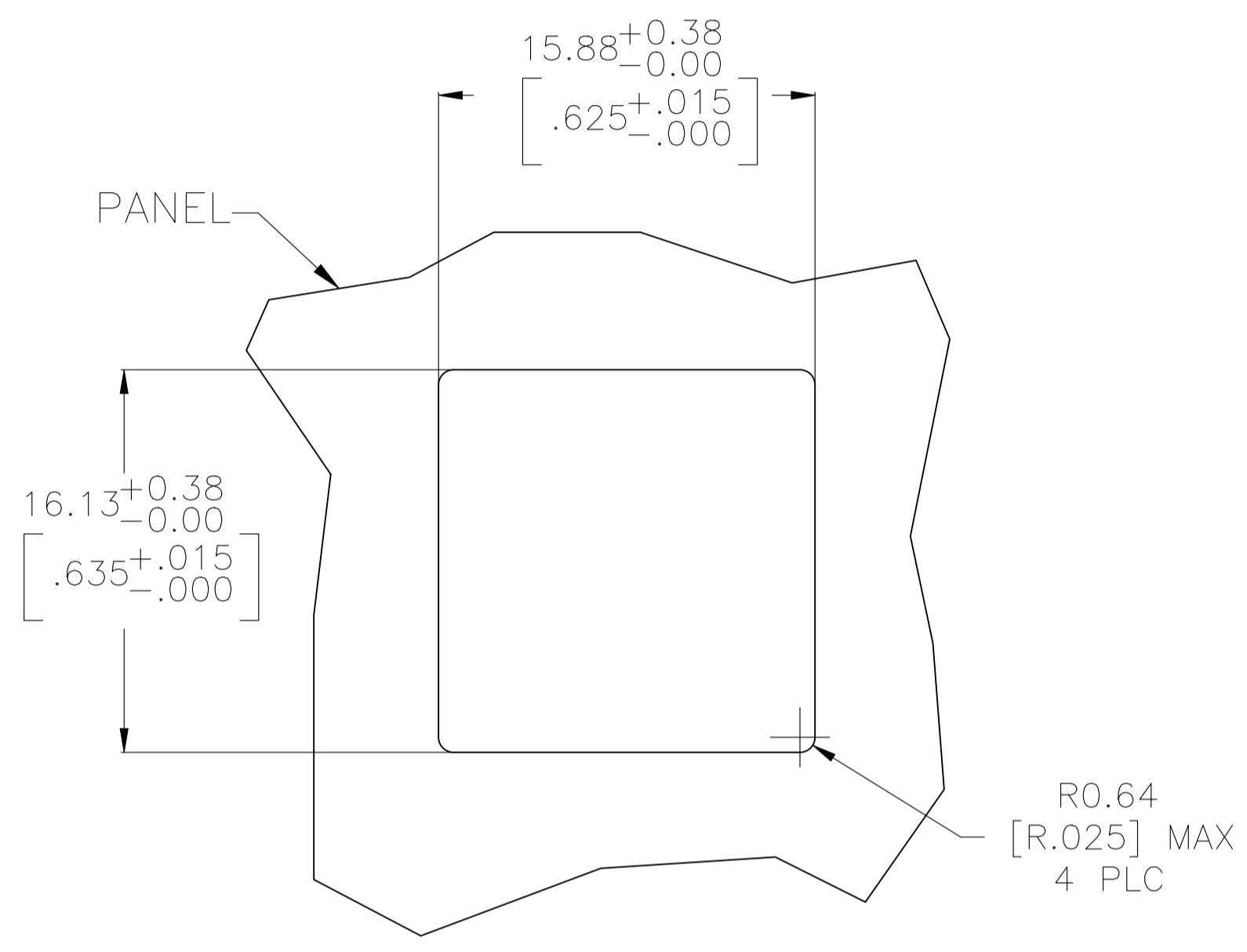


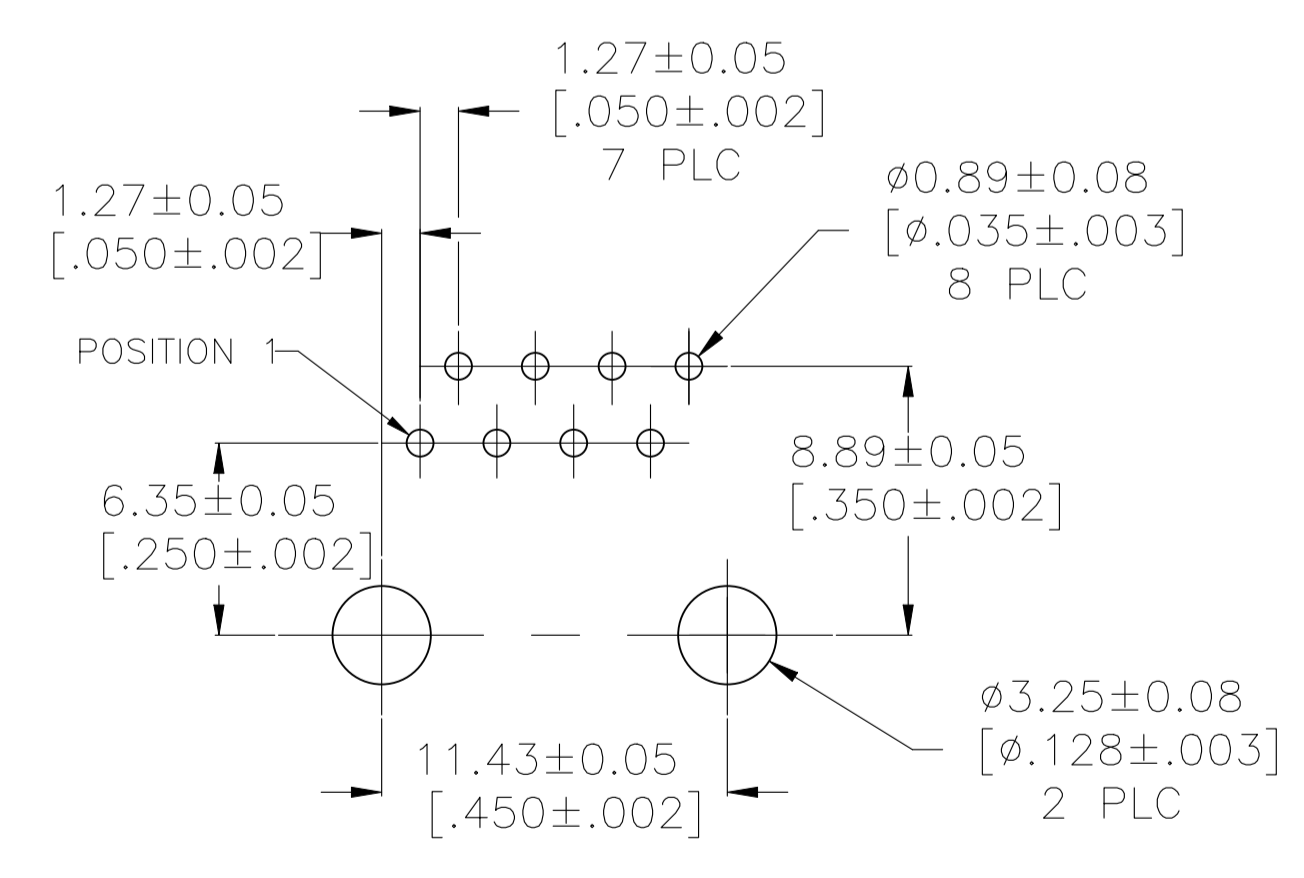
REVISIONS					
REV	DATE	DESCRIPTION	BY	CHK	APP'D
D1	03MAY2024	REVISED PER ECN-25-329249	TR	RK	



- MATERIAL: HOUSING- PBT POLYESTER, BLACK.  
TERMINAL- 0.36[.014] THICK PHOS BRONZE PLATED WITH 1.27μm[.000050] MINIMUM THICK HARD GOLD LOCALIZED GOLD PLATE AREA AND 3.81μm[.000150] MINIMUM THICK MATTE TIN IN SOLDER AREA OVER 1.27μm[.000050] MINIMUM THICK NICKEL UNDERPLATE.
- △2 CAVITY CONFORMS TO FCC RULES AND REGULATIONS PART 68 AND REA BULLETIN 345-81, PE-76 SPECIFICATION FOR MODULAR TELEPHONE HARDWARE.
- ALL DIMENSIONS SHOWN ARE MAXIMUM UNLESS OTHERWISE SPECIFIED.
- △4 BULK PACKAGED IN A TRAY.
- △5 PACKAGED 30 PER TUBE.



RECOMMENDED PANEL CUTOUT  
SCALE 4:1



RECOMMENDED PRINTED CIRCUIT BOARD LAYOUT  
COMPONENT SIDE  
SCALE 4:1

OBSOLETE	△5	5556416-2
	△4	5556416-1
	PACKAGED	PART NO

THIS DRAWING IS A CONTROLLED DOCUMENT.		DIN EJ LATTUCA 12SEPT05	TE Connectivity	
DIMENSIONS: mm [INCHES]		CHK J. WESTMAN 12SEPT05		
TOLERANCES UNLESS OTHERWISE SPECIFIED:		APP'D S. FLICKINGER 12SEPT05	NAME	
0. PLC ± -		PRODUCT SPEC		
1. PLC ± -		108-116.3		
2. PLC ± 0.3(.011)		APPLICATION SPEC		
3. PLC ± 0.13(.005)		114-2048		
4. PLC ± -		SIZE CAGE CODE DRAWING NO RESTRICTED TO		
ANGLES ± -		WEIGHT 0.000000 A1 00779 C=5556416 -		
MATERIAL SEE NOTE 1	FINISH SEE NOTE 1	CUSTOMER DRAWING SCALE 6:1 SHEET 1 of 1 REV D1		